

BARBER CHAIR

NOTES:

STEEL FRAME

WOOD ADDED TO STEEL FOR LOOKS LATER AND TO MASK MECHANICS

SEAT AND BACK ARE $\frac{3}{4}$ " PLYWOOD, CAN BE CUT TO SHAPE

CUT LIST

1X1 STEEL

2@ 2'-0"

2@ 1'-4 $\frac{1}{2}$ "

2@ 1'-7"

2@ 1'-6"

2@ 0'-6 $\frac{1}{2}$ "

1X2 STEEL

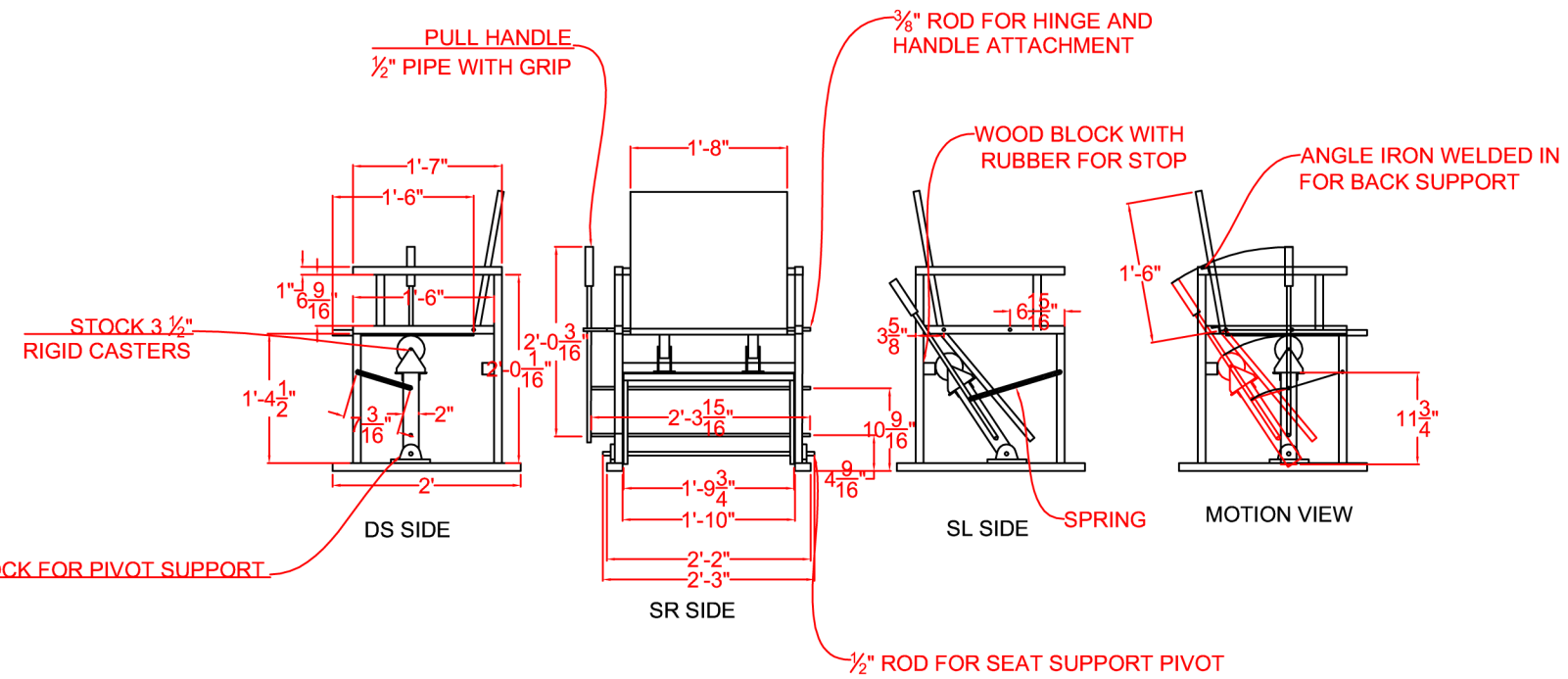
2@ 2'-0"

2@ 0'-11 $\frac{3}{4}$ "

1X1 ANGLE IRON

2@ 1'-10"

2@ 1'-9 $\frac{3}{4}$ "



SWEENEY TODD BARBER CHAIR

THEATRE CEDAR RAPIDS DIRECTOR: LESLIE CHARIPAR

DESIGNER: BRET GOETHE TD: DEREK EASTON

DRAFT: DEREK SCALE: $\frac{1}{2}$ " = 1'-0" PLATE #

DATE: 2/18/2011

S5